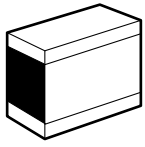
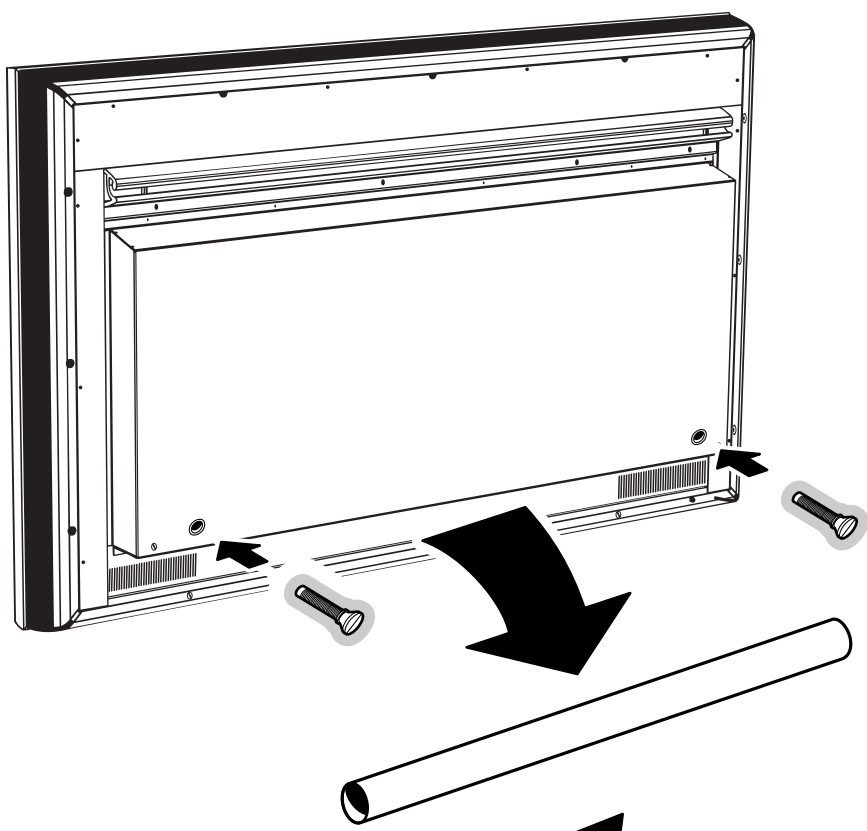
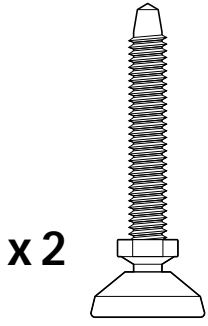
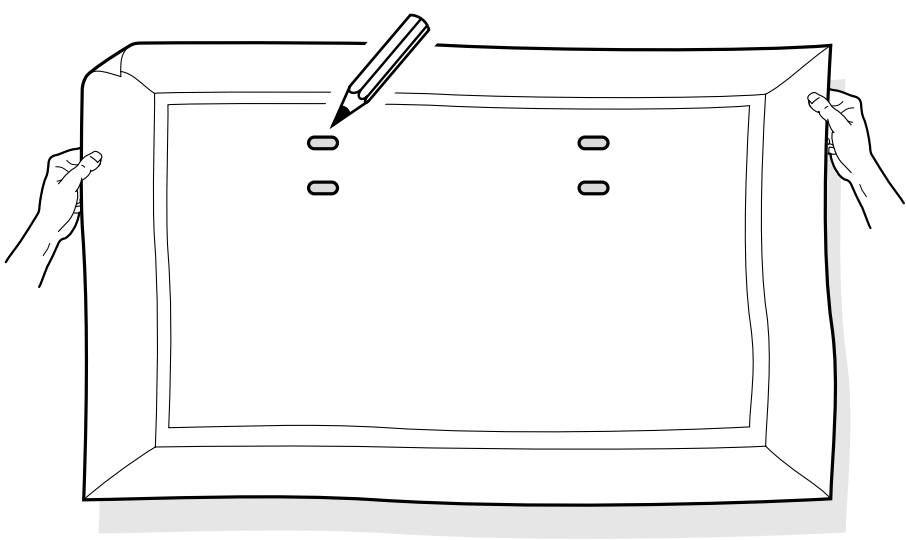


1 - 3 → 

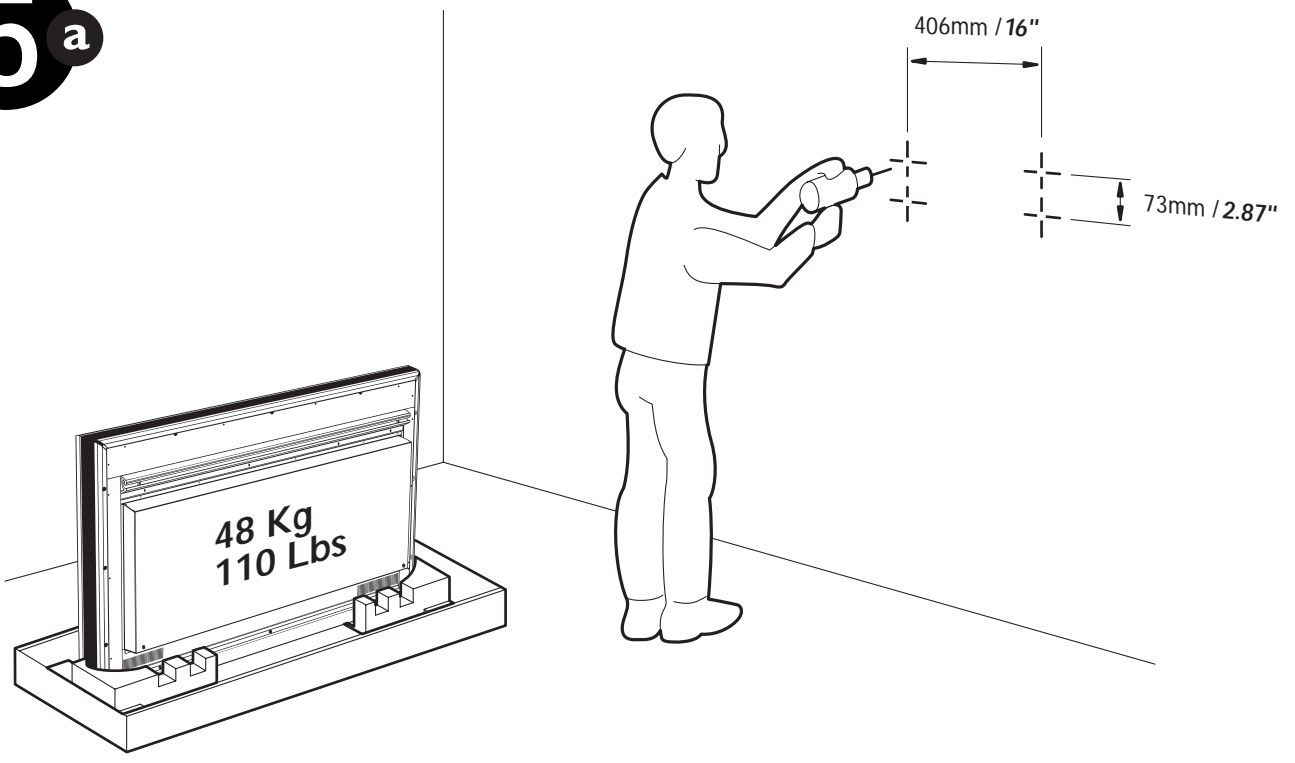
4^a



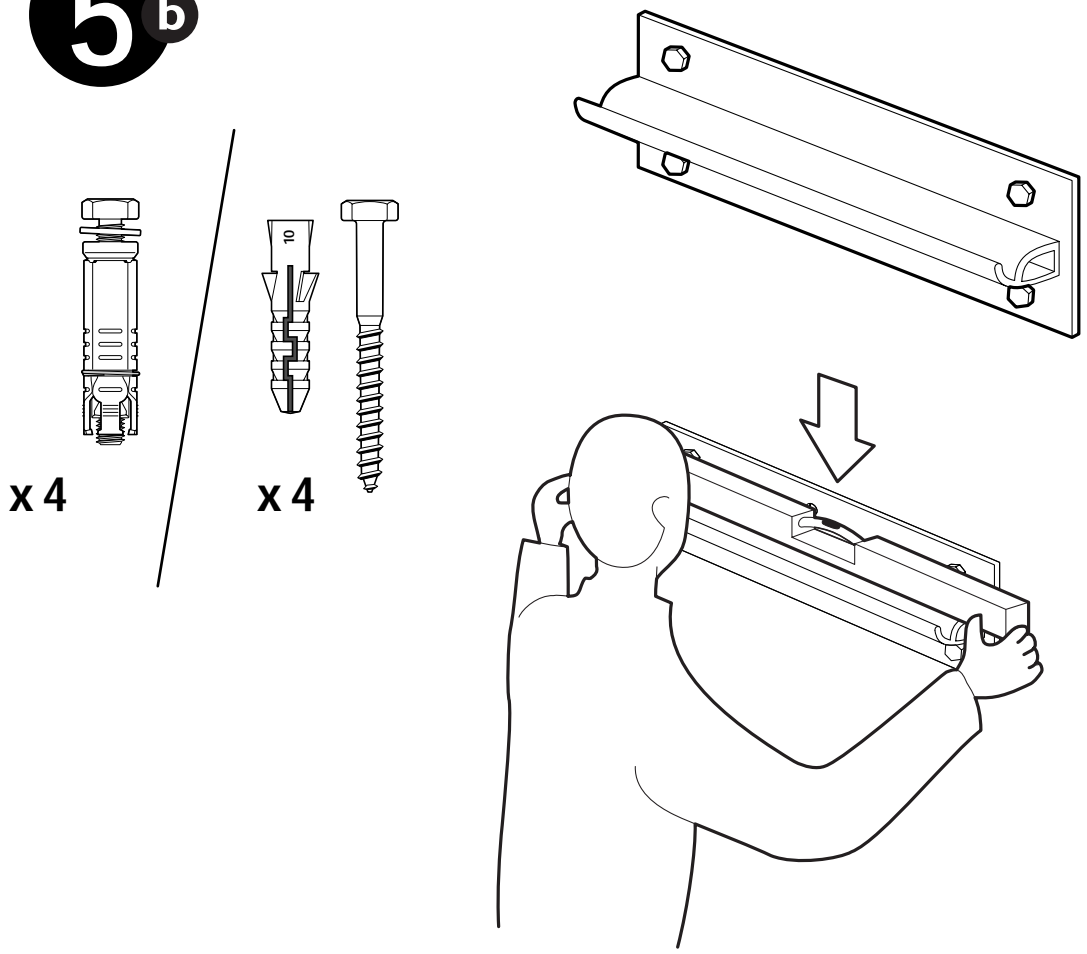
4^b



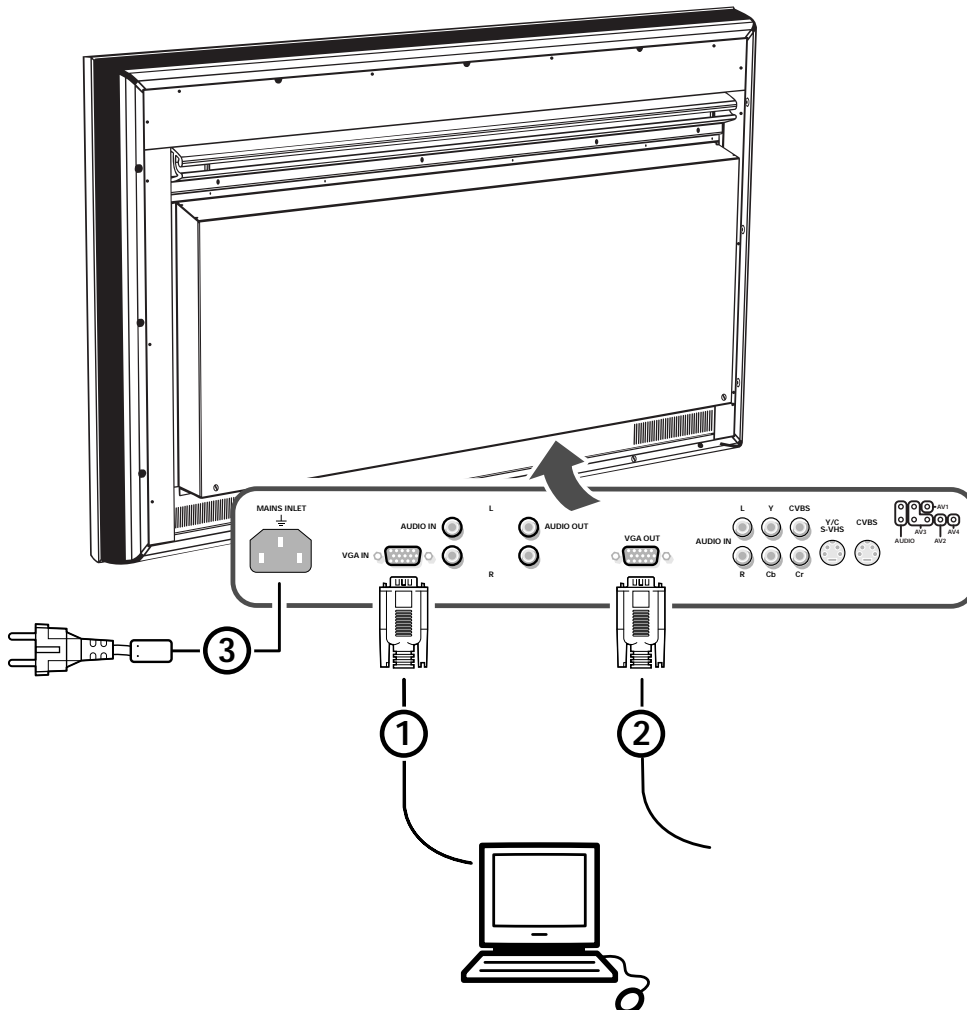
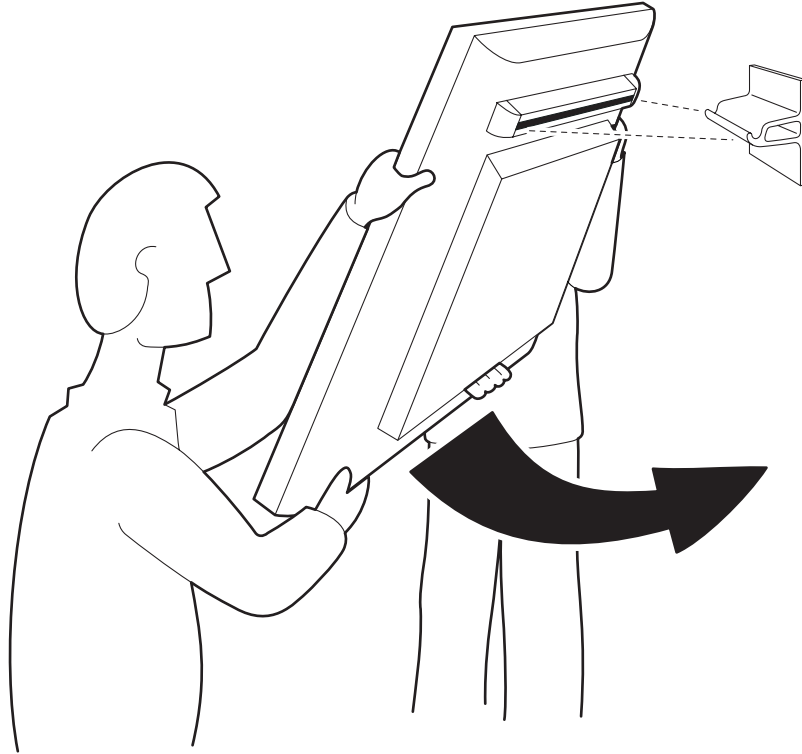
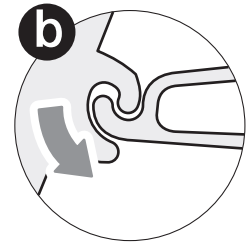
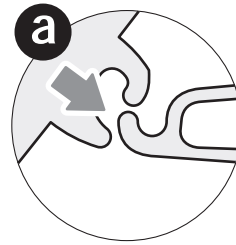
5^a



5^b



6



Your Remote Control

Remote control icon

Press and hold for 3 seconds to go to setup

Sending eye

(IR transmitter)
Send commands to devices

Home

Easy access to all components

Contrast dial

Macro menu

Execute stored lists of command

Blacklight button

press button to activate backlight

Control panel

Tab buttons to send commands to components

Control menu

Tab button to select menu item

Device menu

Open a component's control panels

Direct access buttons

Sound mute
Channel up (+) / down (-)
Volume up (+) / down (-)

Scroll buttons

to display previous and next control panel

Mode menu

Customize the remote control

Left and right buttons

Activate the commands shown immediately above the buttons

Learning eye

for learning commands from other remote controls

Serial port

to link the remote to a computer



Modes

- USE** — Normal use controlling components
- LEARN** — Learn commands from other remote controls. When a macro panel is displayed, this button changes to "REC" for recording macros.
- LABEL** — Assign letters and symbols to buttons and commands.
- ADD** — Add a new component or group macros.
- DEL** — Delete a button, component, or macro group.
- MOVE** — Change the order of commands in a menu.

Unpacking and wall mounting instructions

For the unpacking instructions follow the illustrated steps printed on the packaging (outside and inside).

For the wall mounting instructions follow the illustrated steps ④ to ⑥ printed on the first pages of this instruction booklet.

Make sure that the wall mount is being fixed securely enough so that it meets safety standards. The weight of the monitor (excl. packaging) is about 48 kg.

Connect your computer

- 1 Connect one end of the VGA cable ① supplied to the video card of the computer and the other end to the **VGA IN** connector at the rear side of the monitor. Fix the connectors firmly with the screws on the plug.

Daisy chaining

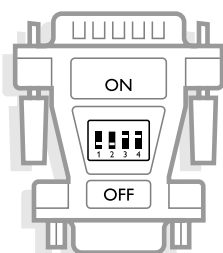
The Active Loop Through facility makes it possible to make a daisy chain with a second VGA monitor.

- 2 Connect one end of another VGA cable ② to the **VGA OUT** connector at the rear side of the monitor and the other end to the **VGA IN** connector of a second VGA monitor.

Note: only use the VGA cable supplied or use cables that are specially delivered with the monitor.

Connect your Apple Macintosh* computer

Attention: Macintosh computers with separate H and V synchronisation signals can be used together with a switchable adaptor. Macintosh computers with Composite Sync and Sync on Green signals may need another special adaptor or cable. Contact your dealer.



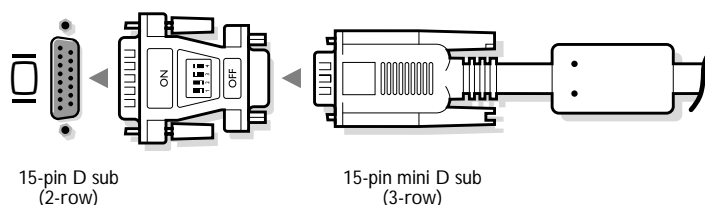
Connect the switchable adaptor for Apple video connectors to one end of a VGA cable.

Put the DIP switches on the adaptor in the following positions :

1	2	3	4
off	off	on	on

Connect the end of the VGA cable with the adaptor to the video card of the computer and the other end to the **VGA IN** connector on the back of the monitor.

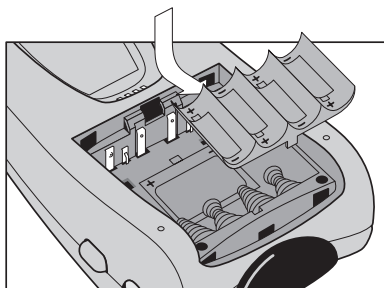
Screw the connectors down firmly.



Note: The adaptor shown is not supplied with this monitor. Please contact your dealer for more information.

* Apple Macintosh is a registered trademark of Apple Computer, Inc.

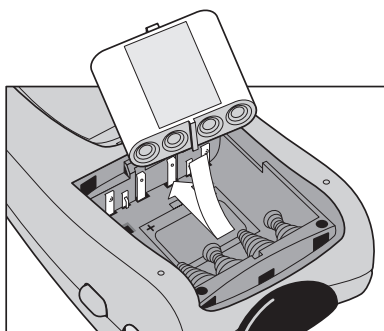
Computer Display modes



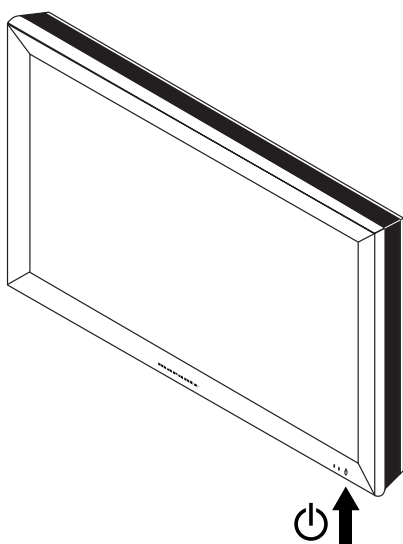
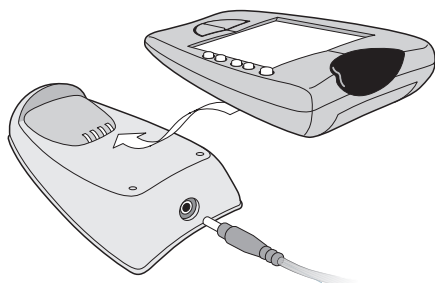
VGA	640x480	31.468 kHz	60 Hz
VGA	640x400	31.468 kHz	70 Hz
VGA	640x350	31.468 kHz	70 Hz
VGA	856x480	31.468 kHz	60 Hz
VGA	800x450	31.490 kHz	65 Hz
MAC II	640x480	35.000 kHz	67 Hz
SVGA	800x600	35.156 kHz	56 Hz
SVGA	800x600	37.880 kHz	60 Hz
XGA	1024x768	45.000 kHz	56 Hz
XGA	1024x768	48.360 kHz	60 Hz


When a VGA computer is connected, the selection is made automatically.

A message is displayed when the monitor does not support one of the above mentioned VGA modes. Switch your computer to a correct display mode.



Operation



- 1 **Insert the mains plug** ③ (see previous page for the illustration) supplied into the mains inlet at the back of the monitor and in the wall socket. Please, only use the supplied rim-earthed mains cord with its built-in filter.
- 2 **Remote control:**
 - a Slide the battery door off the back of the Remote Control.
 - b Remove the plastic **AA** battery tray from the battery compartment
 - c Insert the battery pack (included with the recharging dock) as indicated on the side of the battery pack.
 - d Slide the battery door back on.
After a few seconds, the Remote Control starts up automatically and beeps twice to indicate that it has finished starting up.
 - e Plug the power adapter into a wall outlet and connect it to the recharging dock.
 - f Place the Remote Control on the recharging dock.
Recharging starts automatically. The light on the front of the recharging dock indicates charging takes place. When the battery pack is fully charged, the light goes off.
- 3 **Switch the monitor on :** Press the power button  at the right side of the monitor.
A green indicator lights up and the screen comes on.
When the monitor does not receive a certain VGA signal the screen switches to standby and the red indicator lights up.
Make sure that your PC is switched on and is in the correct display mode.

Use of the remote control



Cursor keys

To select your choice and to alter a selected adjustment.

Picture format

In **VGA** mode, press the left or right cursor keys to switch between a 4:3 or 16:9 picture format.

Note: in VGA display mode 850 x 480 you cancel Wide VGA. In VGA display mode 800 x 450 Wide VGA is fixed.



OK

To activate your choice

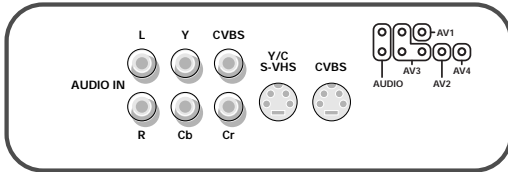
Menu

To switch the menu on/off



Connect video peripheral equipment

Video equipment can be connected to the monitor.
The following diagram shows you where you can connect a video recorder or DVD player.



Video recorder

- 1 According to the type of video recorder connect the video cable to the **Y/C S-VHS** socket (**AV2**) or to one of the **CVBS** sockets (**AV1** or **AV4**).
- 2 Connect the audio cables to the **AUDIO IN L** and **R** sockets on your amplifier or receiver to reproduce sound.

Note: "Audio in" has no function on this monitor.

DVD player or other equipment

- 1 According to the type of DVD player or other equipment, connect the cables to the **Y + Cb + Cr** sockets (**AV3**) or to the **Y/C S-VHS** socket (**AV2**) or to one of the **CVBS** sockets (**AV1** or **AV4**).
- 2 Connect the audio cables to the **AUDIO IN L** and **R** sockets on your amplifier or receiver to reproduce sound.

Note: "Audio in" has no function on this monitor.

Reproduce picture

Select the monitor icon on the remote control home panel. Press the **VGA** key to select your computer connected to the **VGA IN** connector or press **AV1**, **AV2**, **AV3**, or **AV4** to reproduce picture from peripheral equipment connected to **AV1**, **AV2**, **AV3** or **AV4** of the panel.

Menu

- 1 Press the **MENU** key to switch the menu on, in the "cursor" control panel
- 2 Select one of the PC symbols with the up and down keys:
 - for contrast
 - ☀ for brightness,
 - 🎨 for colour (*not in VGA mode*)
 - 🎨 for tint (*if a NTSC peripheral is connected. Not in VGA mode*)
 - 📏 for colour temperature
 - 📏 for horizontal picture position (*only in VGA mode*)
 - 📏 for vertical picture position (*only in VGA mode*)
- 3 Press the left and right keys to alter the selected adjustment.
- 4 Press the **MENU** key again to switch the menu off.



Tips

Ambient temperature

Do not hang up the monitor above a central heating or other heating sources.

Active Loop Through

The Active Loop Through facility makes it possible to make a daisy chain for VGA. Maximum 2 sets.

Care of the screen

Clean the anti-reflex coated flat glass screen with a slightly damp soft cloth. Do not use abrasives solvents as it can damage the glass surface of the screen.

Plasma Display characteristics

When switching over to another picture after having displayed the same still picture for a long time (many hours), it may happen that some parts from the previous picture will remain on screen due to a kind of memory effect. This ghost picture will disappear after some time. To avoid this effect change the pictures regularly or for PC use you can turn on a screen saver in your computer.

Marantz has built in an automatic shift of the picture every 5 minutes to avoid this effect and to prolong the life of the screen.

Very incidentally and after a longer period of unuse (approx. 1 year) the screen may display some strange colour deficiencies. This is quite normal for plasma displays and these effects will disappear after the set has been turned on for some time.

A plasma display consists of more than 1,2 Million colour pixels. It is within industry standards that very few pixels (< 0.001%) may be defective, even for a new set. There is however no reason to doubt about the quality of the set. The plasma display technology operates

with rare gases which are being influenced by air pressure. Up to an altitude of 2000 m above sea-level, the display is functioning fine. Operating the set at a higher altitude, the picture becomes unstable and the picture performance is deteriorating. Bringing the set below 2000 m it works fine again. Transportation has no influence.

Control of peripheral equipment

The infrared signals of the screen may influence the reception sensitivity of other peripherals. Solution: replace the batteries of the remote control or change position of other equipment. E.g. keep away a wireless headphone from within a radius of 1.5 m.

No stable or not synchronised VGA picture

Check if you have selected the correct VGA mode in your PC (640x480, 640x400, 640x350, 856x480, 800x450, MAC II, SVGA, XGA).

No picture

Are the supplied cables connected properly? (The power cable to the display, the VGA cables)

Is your PC switched on?

Do you see a black screen and the indicator in front of the monitor lights up green, this means that the display mode is not supported.

Switch your VGA source to a correct mode.

Remote control

If your monitor no longer responds to the remote control, the batteries may be exhausted.

If your problem is not solved:

Switch your monitor off and then on again.

Never attempt to repair a defective monitor yourself.

Check with your dealer or call a TV technician.

Transport

Keep the original packaging to transport the monitor if needed.

End of life directives

Marantz is paying a lot of attention to produce environmentally-friendly in green focal areas. Your new monitor contains materials which can be recycled and reused.

At the end of its life specialised companies can dismantle the discarded monitor to concentrate the reusable materials and to minimise the amount of materials to be disposed of.

Please ensure you dispose of your old monitor according to local regulations.

How to dispose of batteries ?

The batteries supplied do not contain the heavy metals mercury and cadmium. Nevertheless in many countries batteries may not be disposed of with your household waste. Please ensure you dispose of batteries according to local regulations.

Miscellaneous

- . Ambient temperature: + 5~ + 45°C
- . Maximum operating altitude: 2000 m
- . Mains: AC 100-240V
- . Power consumption: around 350W
- . Standby consumption: 1 W
- . Weight (excl. packaging)
Display: 47.5 kg
- . Dimensions (wxhxd):
Display: 107 x 67 x 14.5 cm
- . Wall mounting bracket included